



**GASPARDO**

Growing Together



**VARIABLE CHAMBER  
ROUND BALERS**

# THE ROUND BALER YOU NEED

**HIGH PERFORMANCE! WHEREVER YOU NEED IT!**

MASCHIO GASPARDO EXTREME series offers a comprehensive range of variable chamber round balers. With decades of experience in the industry, MASCHIO GASPARDO is in a position to supply the best solutions, delivering quality products that meet the full range of demands: with simple, lightweight models for small farmers, all the way through to professional models for large farms and contractors dealing with all manner of harvesting conditions, our main aim being to help farmers get the most out of their forage.



**EXTREME Series 1 - Mechanical**



**EXTREME Series 2 - Electronic**



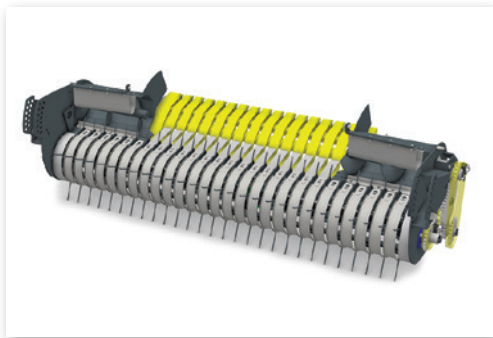
**EXTREME Series 3 - Professional**

# CONTENTS

360° feed systems... for all-round performance	4
Hybrid round balers	6
Quality is a core issue	8
EXTREME 1	10
EXTREME 2	12
EXTREME 3	16
Technical specifications	18

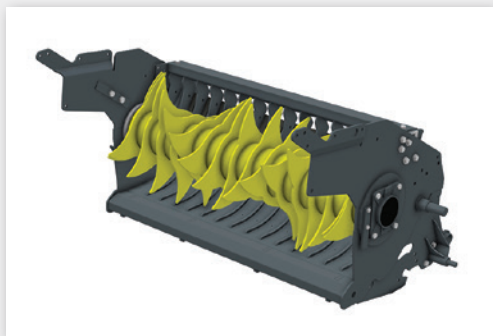


# 360° FEED SYSTEMS... FOR ALL-ROUND PERFORMANCE



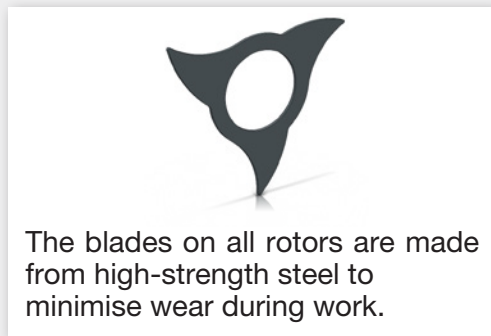
## **HTI ALTERNATIVE FEEDER**

Ideal for short and dry chopped straw and for picking up delicate, leafy forage - like alfalfa - without damaging it.

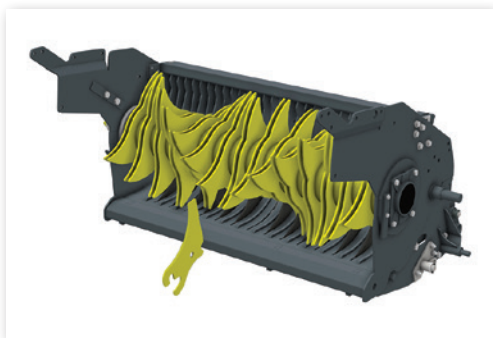


## **HTR rotor**

Featuring high rotary capacity, the rotor feeds the chamber quickly and continuously, maintaining high forward speeds even when tackling large volumes of hay or straw. The rotor, featuring blades in a double spiral arrangement, distributes the crop evenly in the chamber.

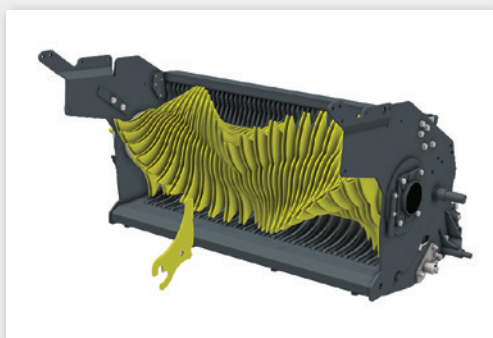


The blades on all rotors are made from high-strength steel to minimise wear during work.



## **CUT rotor 13 HTC knives**

The cutting system comprising of 13 knives chops the material as it is picked up, producing a crop length of around 77 mm. Crop cutting ensures greater pick-up efficiency and makes the best use of the baling chamber.



## **ULTRACUT Rotor 25 HTU knives**

The high number of knives means it can cut hay to a length of 45 mm. Ideal for green crops to be used as silage, it improves fermentation and reduces mixing time in the mixer wagon.



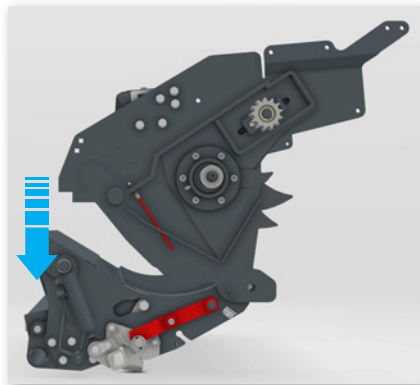
# Fewer blockages for improved performance

The term productivity has become an important buzzword in farming, especially when it comes to harvesting. Given that the windows of opportunity for this sort of work are increasingly short, every minute saved is important. The drop floor is designed to help prevent blockages resulting from excessive material, and allow you to clear any plugs quickly, making the operator's job easier by providing an effortless solution to the issue without having to get out of the tractor cab.

## 3 steps for clearing blockages

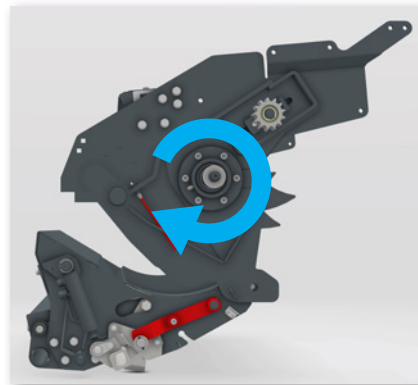
### **step 1 lower the drop floor**

If there is a blockage, the PTO sounds to alert the operator that the feed channel is blocked. The floor can be lowered hydraulically from the comfort of the tractor cab.



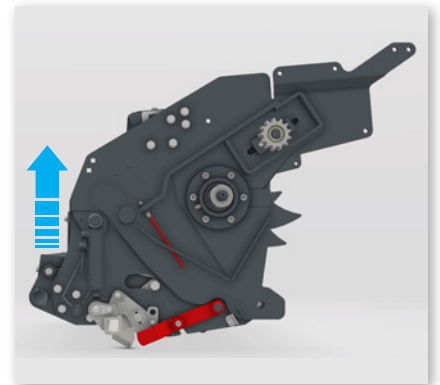
### **step 2 restart the PTO**

With the drop floor hydraulically lowered, the operator must engage the PTO once or twice to help the rotor discharge the material that has built up inside.



### **step 3 lift the drop floor**

Once the blockage has been cleared, the operator lifts the drop floor and can resume baling.

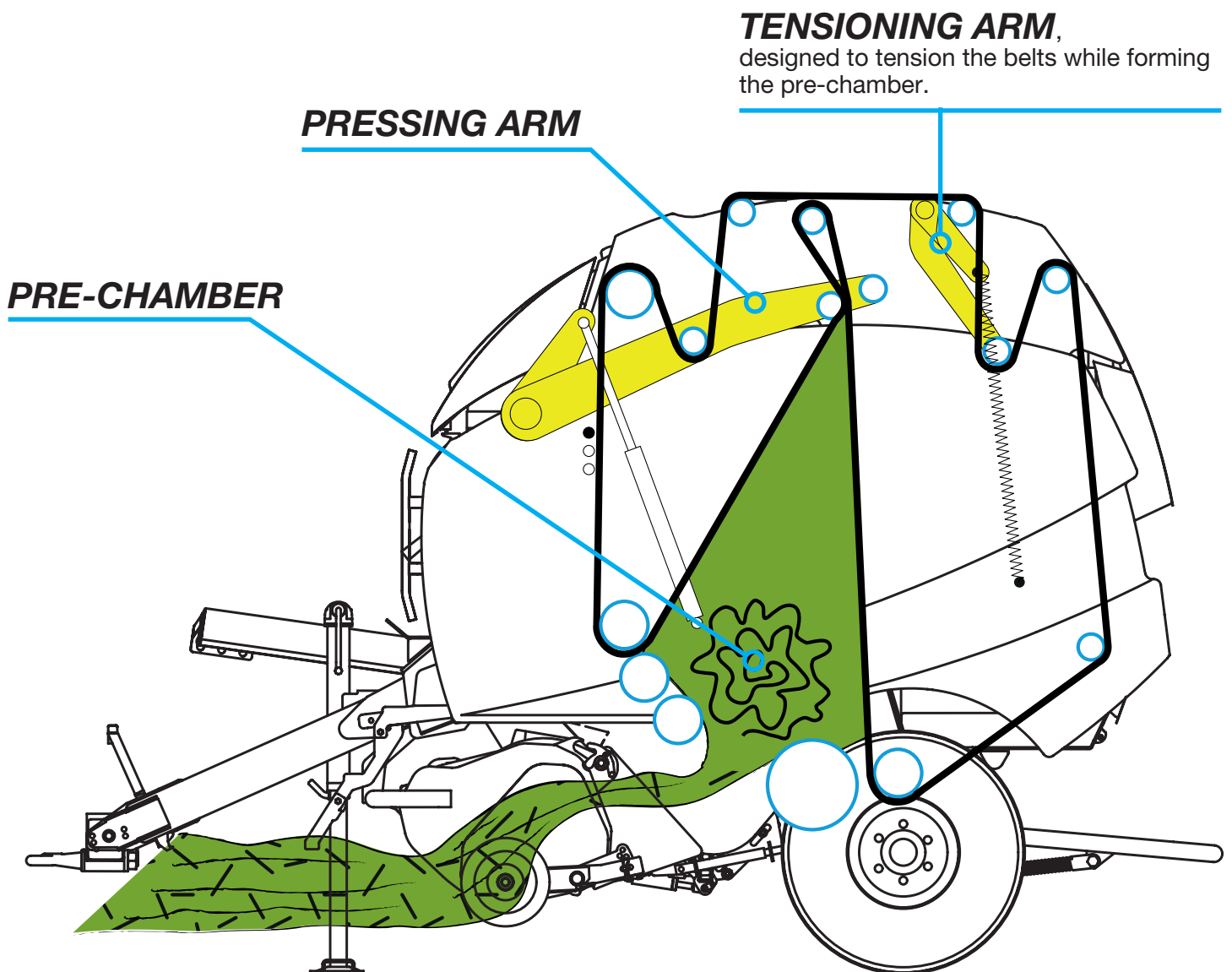


# HYBRID ROUND BALERS

## ***A new concept in haymaking***

All models in EXTREME range are equipped with the VARIABLE GEOMETRY system, which enables the round baler to combine the winning features of a variable chamber machine with the advantages of its fixed chamber counterpart, resulting in what, for all intents and purposes, can be termed a hybrid round baler. The crop can be baled straight away, per the variable chamber design, though there is also the option of creating an empty space - by lifting the tensioning arm - thus allowing the soft core and classic star shape to form, just like in a fixed chamber round baler.

In variable chamber round balers, the pressing arm starts compressing the incoming crop immediately, as there is just one pressure setting per bale. With the VARIABLE GEOMETRY system, the pressing arm can stay lifted, creating a pre-chamber - in other words, an empty space - which is filled with loose material up to a maximum diameter of 1.10 m, just like in a fixed chamber with rollers.

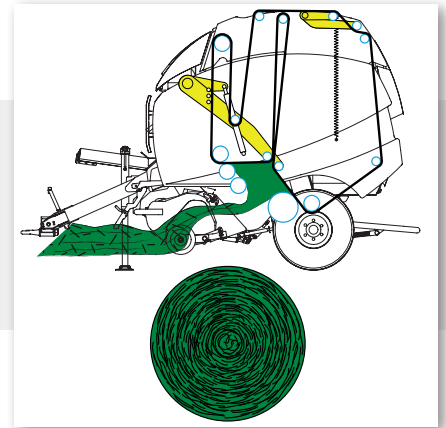


# Easy adjustment for any moisture content



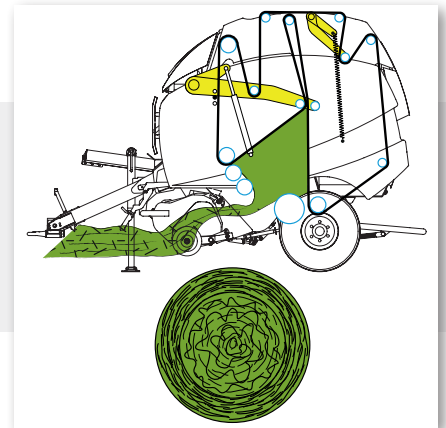
**Core density:**  
**100% hard core - wrapping**

- Advantages:**
- Store outdoors
  - Less crop waste



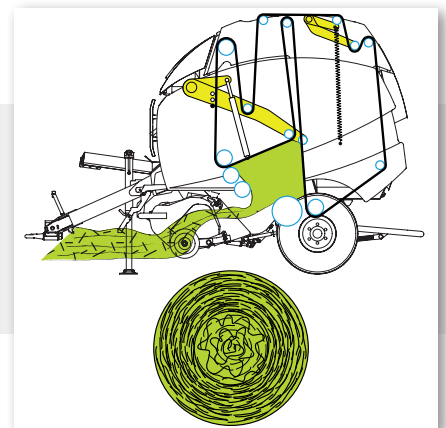
**Core density:**  
**100% soft core**

- Advantages:**
- Quicker moisture loss
  - Less fermentation



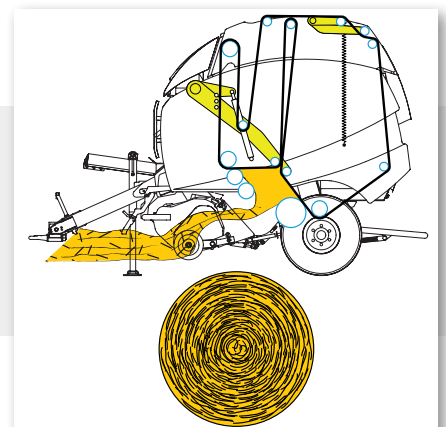
**Core density:**  
**50% soft core**

- Advantages:**
- Perfect preservation
  - Less fermentation



**Core density:**  
**100% hard core**

- Advantages:**
- High bale weight
  - Unbeatable efficiency in handling



# QUALITY IS A CORE ISSUE

## **FORAGE EXPERTS**

Made in Italy, our brand is recognised around the world for offering a guarantee of quality, and DOP (Protected Designation of Origin) and IGP (Protected Geographical Indication) products are the best of the best of Italy's farmed foods. Italy is actually the European country with the highest number of PDO and PGI farmed foods recognised by the European Union.

For example, in the haymaking sector, producing a healthy product provides the assurance that animals in the sheds will be healthy and produce a constant supply of excellent-quality milk and meat.



Being able to keep the rocker arm lifted and create the pre-chamber brings huge advantages, such as being able to handle any kind of crop and moisture content. Low density in the middle of the bale allows excess moisture to escape and helps disperse heat in the event of fermentation.

## **Advantages in the drying room**

Another advantage of the pre-chamber is that it is a great way to promote bale drying in the drying room, making it easier for warm air to get inside.



# What issues can we reduce with variable geometry?



## ***Spontaneous combustion***

Bales formed with a moisture content that is too high tend to ferment and generate heat, with a greater risk of fire.



## ***Mold***

Unwanted fermentation and mold formation can compromise the health of animals and the quality of their milk.



# EXTREME 1



## **SIMPLE AND LIGHTWEIGHT**

EXTREME 1 is an entry-level machine for this product category given its ease of use and low power demand. EXTREME 1 is the ideal machine for small and mid-sized farmers who need a machine that is going to be reliable in all conditions.

## **THE SOFT CORE YOU PREFER**

Extreme 1 has the possibility to manage the pre-chamber size mechanically, thanks to a pin system with 4 positions placed directly on the baler. You can create a pre-chamber from a minimum of 50 cm to a maximum of 110 cm diameter, depending on the humidity of the product.

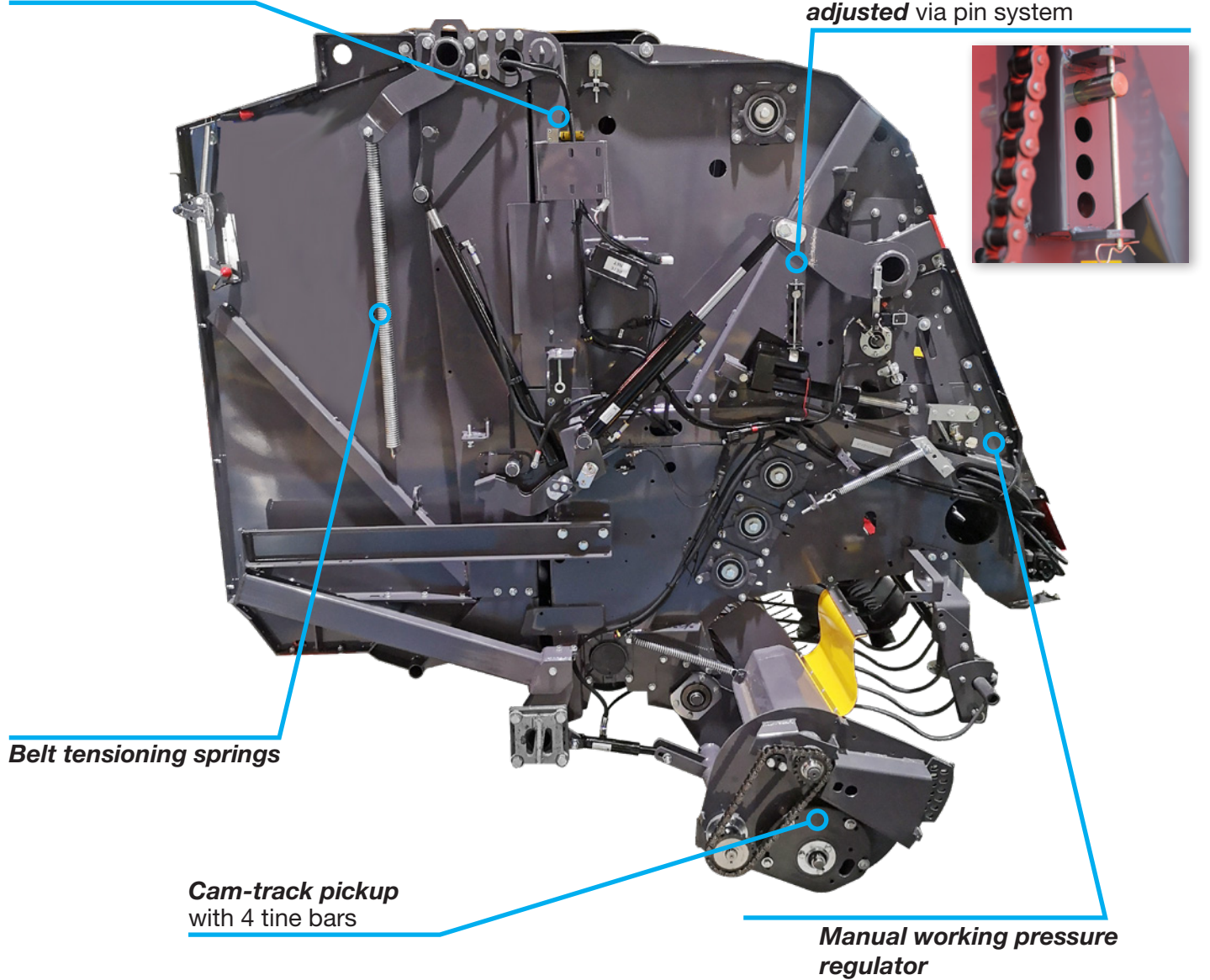


Model		EXTREME 165	EXTREME 180
Bale diameter	m	0,5-1,65	0,5-1,8
Pickup	m	2,2	2,2
Feeding	type	HTI-HTR-HTC	HTI-HTR-HTC
Binding	type	Twine-Net-Twine/Net	Twine-Net-Twine/Net
PTO	rpm	540	540
Weight	kg	Da 2850	Da 2850
Power	CV	65	70

# Intuitive and practical

**Automatic oiling**

**Soft core and diameters manually adjusted via pin system**



**Belt tensioning springs**

**Cam-track pickup with 4 tine bars**

**Manual working pressure regulator**



# **EXTREME 2**

## **EXTREME 2 ISOTRONIC**



### **PRACTICALITY AND HIGH PERFORMANCE ALL IN ONE MACHINE**

EXTREME 2 is the new MASCHIO GASPARDO's Hybrid round baler, a perfect balance between high performance and unbeatable ease of use. The machine has been designed to deliver the greatest combination of pressures and bale densities. The high hydraulic pressure managed by the operator from the tractor cab allows to make compact and heavy bales where necessary with any type of product: noble forage, straw, corn stalks or silage. EXTREME 266 ISOTRONIC is the latest generation, updated version with ISOBUS communication protocol.

### **COMPLETELY REVAMPED AND UPDATED**



***New completely revamped and updated ICON control unit***



***New pivoting wheels with case-hardened bushes as standard***



***New drop floor for reducing machine downtime in the field due to blockages***



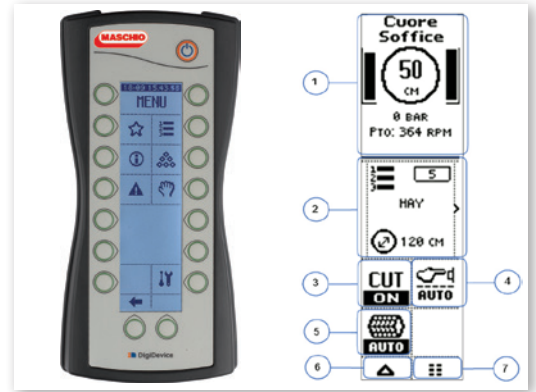
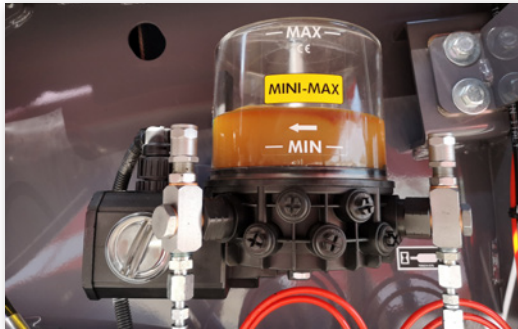
***Comes with European Type Approval***

# For all needs

## EXTREME 2

ICON CONTROL UNIT FOR CONTROLLING:

- ▶ Bale diameter and pre-chamber formation
- ▶ Pressure during processing
- ▶ 10 preset programs
- ▶ Automatic greasing
- ▶ Cutting system
- ▶ Drop floor

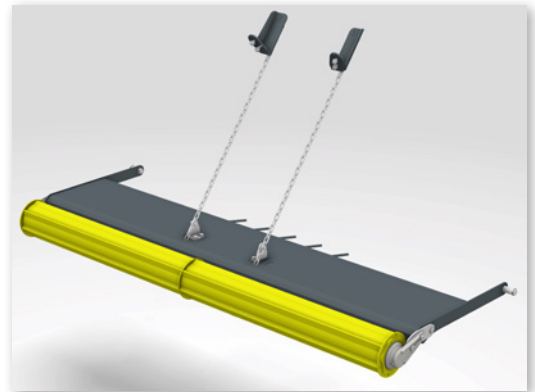


## Automatic greasing (optional extra)

With the automatic centralized lubrication system, maintenance times are reduced considerably, boosting work efficiency and reducing breakages, ensuring the machine is always perfectly greased.

## Even feeding (optional extra)

The roller baffle compressing the windrow has been completely revamped and updated. Working width has been increased to accommodate even the widest windrows, while the combination of the new profile and the shock-absorbing system makes feeding the machine that much easier.



## New electronic ISOTRONIC

Full control of the baler directly from the ISOBUS terminal in the tractor cab, managing all the working parameters in a simple and intuitive way. ISO BALER software of the ISOBUS system, communicating with TT CONNECT system, allows the sending of work data to both the CLOUD platforms and MASCHIO GASPARDO SERVICE, optimising work performance and quality.



MODEL		EXTREME 266-EXTREME 266 ISOTRONIC	EXTREME 286-EXTREME 286 ISOTRONIC
Bale diameter	m	0,5-1,65	0,5-1,8
Pickup	m	2,2	2,2
Feeding	type	HTI-HTR-HTC-HTU	HTI-HTR-HTC-HTU
Binding	type	Twine-net-Twine/net-Wrap	Twine-net-Twine/net-Wrap
PTO	rpm	540	540
Weight	kg	From 2940	From 3000
Power	hp	65	70

# EXTREME 2

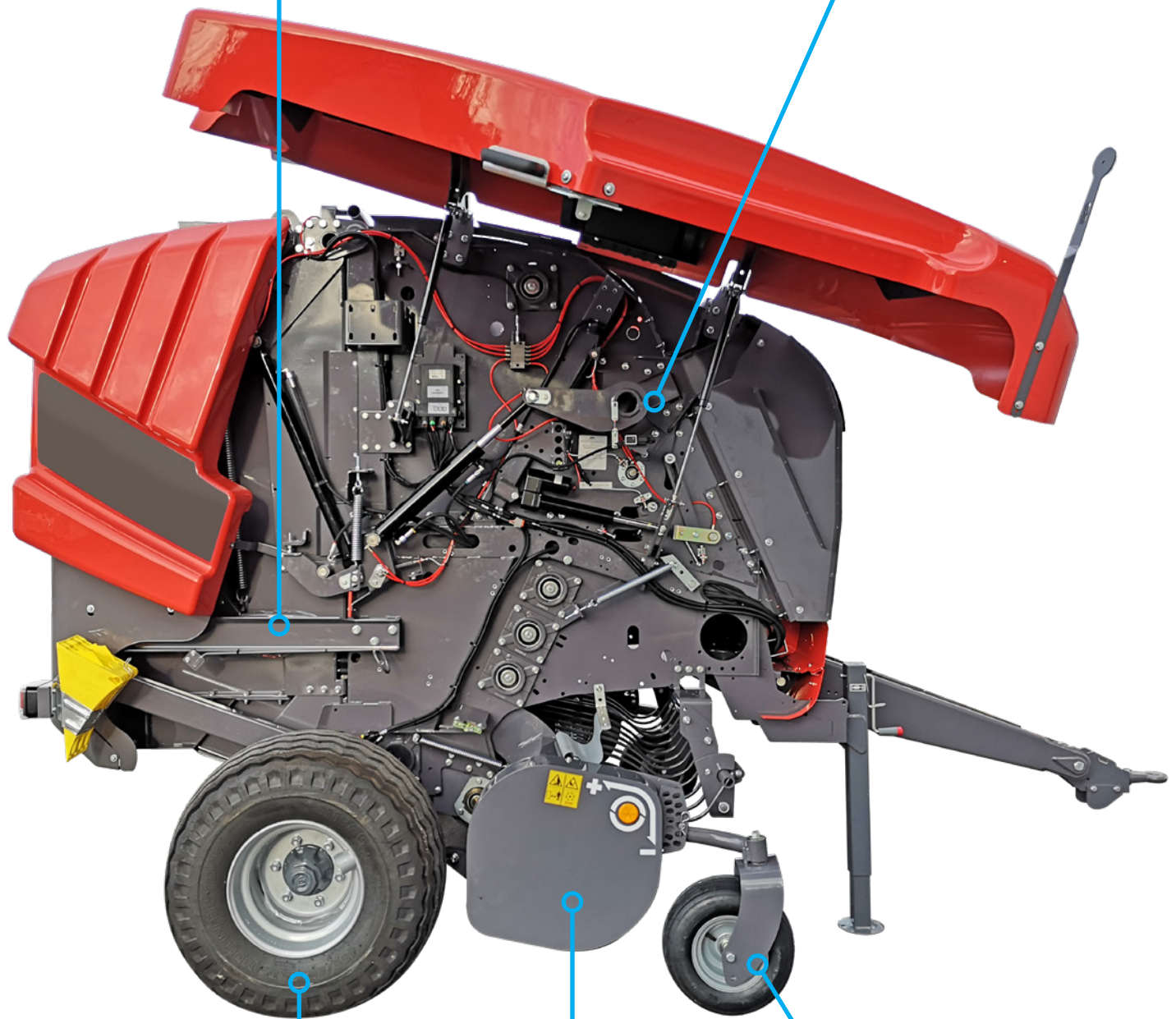
## EXTREME 2 ISOTRONIC

EXTREME 2 has European type approval and can travel on roads both with and without a braking system.

It comes in the following versions:

- without braking system (standard)
- with dual-line oil braking system (optional extra)
- with air braking system (optional extra)

**Hydraulic baling up to 210 Bar**



### **Wheel options:**

- 400/60 - 15.5 (standard)
- 19/45 - 17 (optional extra)
- 550/45-22.5 (optional extra)

### **220cm pickup**

with 4-tine bar reel and cam track, designed to work effortlessly even with the toughest, heavy crops

### **Pivoting wheels**

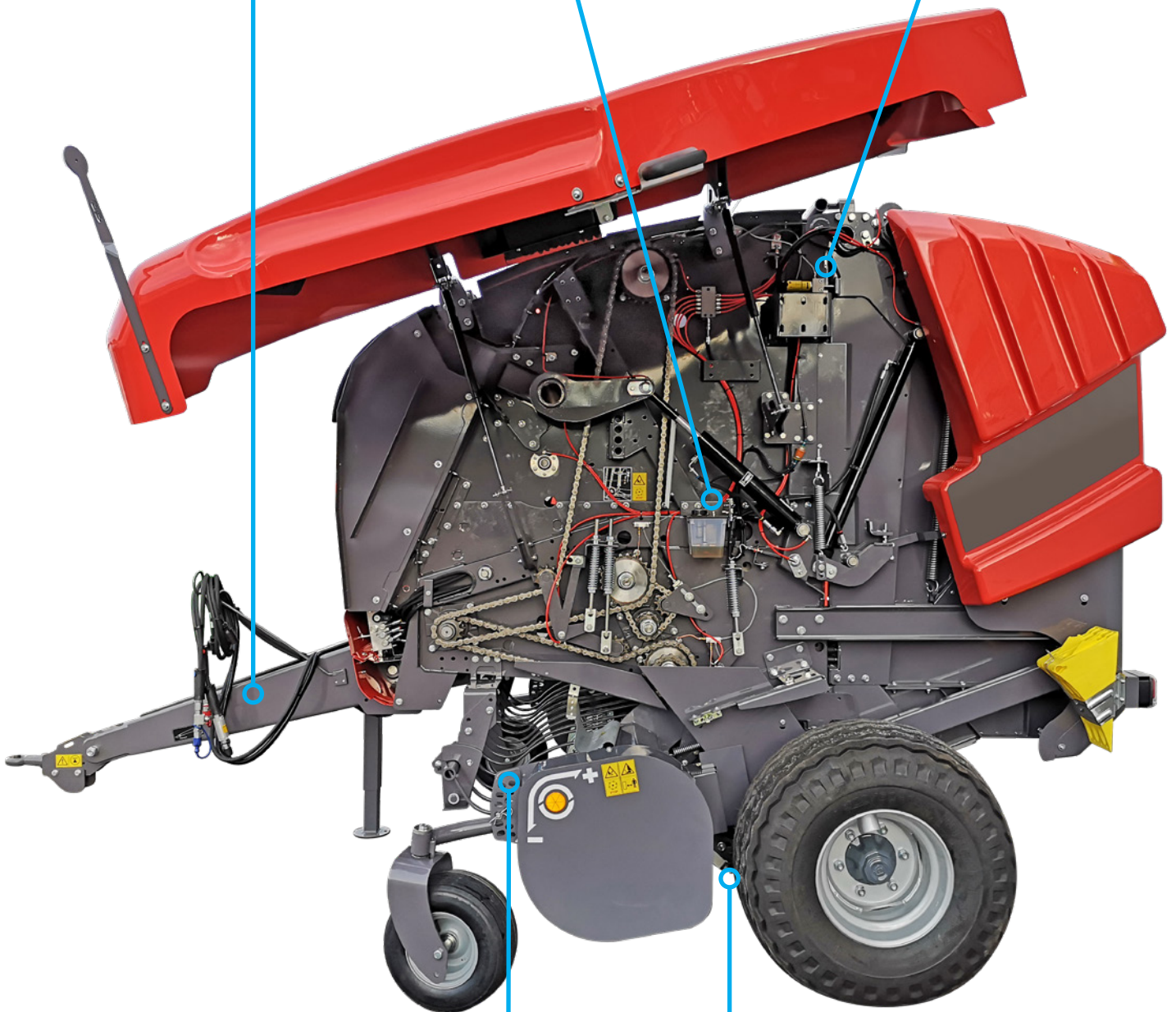
with case-hardened bushes (Standard)

# Take a look inside

**Drawbar**  
with dual mechanical  
bolt adjustment

**Centralized greasing system**  
progressive manual system standard issue, automatic  
version available as an optional extra.

**Automatic oiling  
system**



**Crop guide roller (optional)**  
The combination of the crop guide roller with the  
new spring down-pressure system (optional extra)  
ensures material is conveyed perfectly to the rotor,  
for consistently smooth feeding into the chamber

**Drop floor**  
to reduce the danger of  
serious blockages

# **EXTREME 3**

## **EXTREME 3 ISOTRONIC**

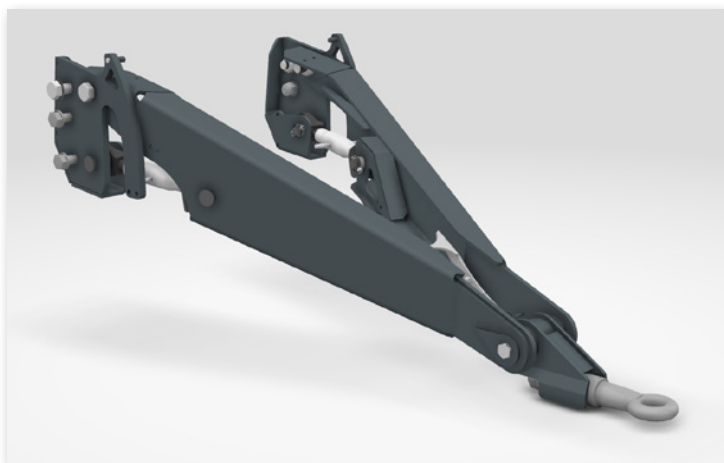


### **TOP-OF-THE-LINE EXTREME BALER**

High performance and utmost care in crop pick-up.

These are the strengths of the EXTREME 3 that - with its generous 2,2 m pickup, wide choice of rotors, "Endless" belts and drop floor - delivers high performance every time, in any situation. The dual rocker arm system - for managing the chamber and variable geometry - means material is picked up based on moisture content, for optimal storage. EXTREME 3 is also available in the ISOTRONIC version with ISOBUS communication system.

## **FEATURES FOR HIGH PERFORMANCE**



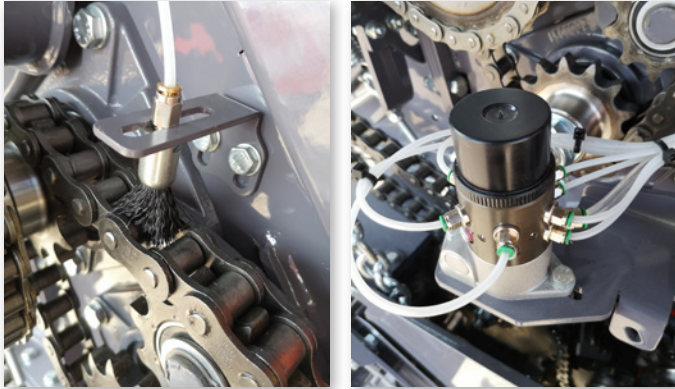
### **ADJUSTMENT FOR ALL**

EXTREME 3 series features a new, completely revamped drawbar. A high-strength steel C-channel allows for easy adjustment to suit tractors of all kinds by means of two mechanical jacks.

# TOP performances!

## High-strength belts

EXTREME 3 model has been designed for true professionals, hence it has been fitted with 4 Endless belts, making it suitable for heavy-duty service under any conditions, even coping with high pressures.

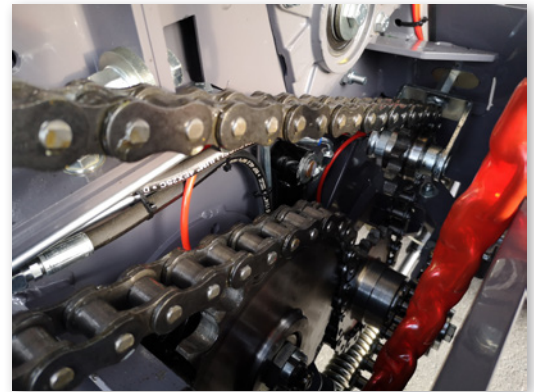


## Non-stop lubrication

The automatic oiling system with rotary pump ensures perfect non-stop lubrication while the machine is operating, improving efficiency and power transmission quality.

## Strengthened chains

To meet the demands of contractors who subject machines to stress for extended periods of time, EXTREME 3 has been fitted with 1 1/4" strengthened chains built to cope with even the most severe stress.



## New electronic ISOTRONIC

EXTREME 3 ISOTRONIC is the latest generation version, updated with the ISOBUS communication protocol. All the working parameters can be operated conveniently from the ISOBUS terminal in the tractor cab in a simple and intuitive way. A state-of-the-art round baler for both forage companies and the most demanding contractors.



MODEL		EXTREME 3 EXTREME 3 ISOTRONIC
Bale diameter	m	0,5-1,65
Pickup	m	2,2
Feeding	type	HTR-HTC-HTU
Binding	type	Net
PTO	rpm	540
Weight	kg	From 3470
Power	hp	95-108

		<b>EXTREME 1</b>		
	<b>UOM</b>	<b>HTI</b>	<b>HTR</b>	<b>HTC</b>
<b>BALE SIZE</b>				
<b>Diameter</b>	<i>m</i>	0,5-1,65 / 1,8		
<b>Width</b>	<i>m</i>	1,2		
<b>PICK-UP</b>				
<b>Pickup width</b>	<i>m</i>	2,2		
<b>Number of tine bars</b>	<i>n°</i>	4		
<b>Pivoting wheels</b>		Standard		
<b>Crop guide plate</b>		Standard	-	-
<b>Crop guide tine</b>		-	Standard	Standard
<b>Crop guide roller</b>		Optional extra		
<b>BALING CHAMBER</b>				
<b>Belts</b>	<i>type</i>	Stapled		
<b>n° of belts</b>	<i>n°</i>	6		
<b>Bale ejector</b>		Optional extra		
<b>FEEDING</b>				
<b>Cutting length</b>	<i>mm</i>	-	-	77
<b>Knife protection</b>		Spring		
<b>Rotor shut-off</b>		Standard		
<b>Drop floor</b>		-		
<b>BINDING</b>				
<b>Net</b>		Standard		
<b>Twine</b>		Optional extra		
<b>Twine/net</b>		Optional extra		
<b>Plastic film binding</b>		Optional extra		
<b>CONTROL</b>				
<b>Mechanical</b>		Standard		
<b>ICON (electronic)</b>		-		
<b>LUBRICATION</b>				
<b>Automatic oiling</b>		Standard		
<b>Automatic oiling rotary pump</b>		-		
<b>Manual greasing</b>		Standard		
<b>Centralized greasing</b>		-		
<b>Progressive manual greasing</b>		-		
<b>Progressive automatic greasing</b>		-		
<b>TYRES</b>				
<b>400/60 - 15.5</b>		Standard		
<b>19.0/45 - 17</b>		Optional extra		
<b>550/45 - 22.5</b>		-		
<b>Weight</b>	<i>kg</i>	2850	3100	3260

<b>EXTREME 2</b>				<b>EXTREME 3</b>		
<i>HTI</i>	<i>HTR</i>	<i>HTC</i>	<i>HTU</i>	<i>HTR</i>	<i>HTC</i>	<i>HTU</i>
<i>0,5-1,65 / 1,8</i>				<i>0,5-1,65</i>		
<i>1,2</i>				<i>1,2</i>		
<i>2,2</i>				<i>2,2</i>		
<i>4</i>				<i>4</i>		
<i>Standard</i>				<i>Optional</i>		
<i>Standard</i>	<i>-</i>	<i>-</i>	<i>-</i>	<i>-</i>	<i>-</i>	<i>-</i>
<i>-</i>	<i>Standard</i>	<i>Standard</i>	<i>Standard</i>	<i>-</i>		
<i>Optional extra</i>				<i>Standard</i>		
<i>Endless</i>				<i>Endless</i>		
<i>4</i>				<i>4</i>		
<i>Optional extra</i>				<i>Optional extra</i>		
<i>-</i>	<i>-</i>	<i>77</i>	<i>44</i>	<i>-</i>	<i>77</i>	<i>44</i>
<i>Molla</i>				<i>Molla</i>		
<i>Standard</i>				<i>-</i>		
<i>Standard</i>				<i>Standard</i>		
<i>Standard</i>				<i>Standard</i>		
<i>Optional extra</i>				<i>Optional extra</i>		
<i>Optional extra</i>				<i>Optional extra</i>		
<i>Optional extra</i>				<i>Optional extra</i>		
<i>-</i>				<i>-</i>		
<i>Standard*</i>				<i>Standard*</i>		
<i>Standard</i>				<i>-</i>		
<i>-</i>				<i>Standard</i>		
<i>-</i>				<i>-</i>		
<i>-</i>				<i>Standard</i>		
<i>Standard</i>				<i>-</i>		
<i>Optional extra</i>				<i>Optional</i>		
<i>Standard</i>				<i>Standard</i>		
<i>Optional extra</i>				<i>Optional extra</i>		
<i>Optional extra</i>				<i>Optional extra</i>		
<i>2940</i>	<i>3300</i>	<i>3520</i>	<i>3550</i>	<i>3470</i>	<i>3550</i>	<i>3657</i>

*\*ISOBUS terminal in the ISOTRONIC version*



# GASPARDO

## Growing Together

**MASCHIO GASPARDO S.p.A.**

Headquarters and production plant

Via Marcello, 73

I-35011 Campodarsego (PADUA) - Italy

Tel. +39 02 82284000 - Fax +39 02 82284100

info@maschiogaspardo.com - www.maschiogaspardo.com

**Production plant**

Via Bredina 6

I-26100 CREMONA (CR) - Italy

Tel. +39 02 82284000 - Fax +39 02 82284600